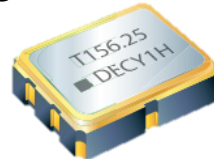


## Product Features

1. 6 pads seam sealed ceramic package
2. 3.3 and 2.5 V operation available
3. Output Type : LVPECL
4. Output frequencies 50MHz ~ 320MHz
5. Excellent low phase noise and jitter
6. Tri-State function available
7. RoHS and REACH Compliant , Pb-free , Halogen-free
8. Industry Standard Package :  
3.2 x 2.5 x 0.95 mm

Application :

- Fiber Channel , Gigabit Ethernet , Serial ATA , Serial Attached SCSI , PCI-Express , SDH / SONET , Ethernet Switch
- Telecom , Networking , Server , Storage , Instrument



Test condition  
Ambient temperature :  $25 \pm 5^{\circ}\text{C}$   
Relative humidity : 40% ~ 70%

● **Table 1 . Electrical Specifications**

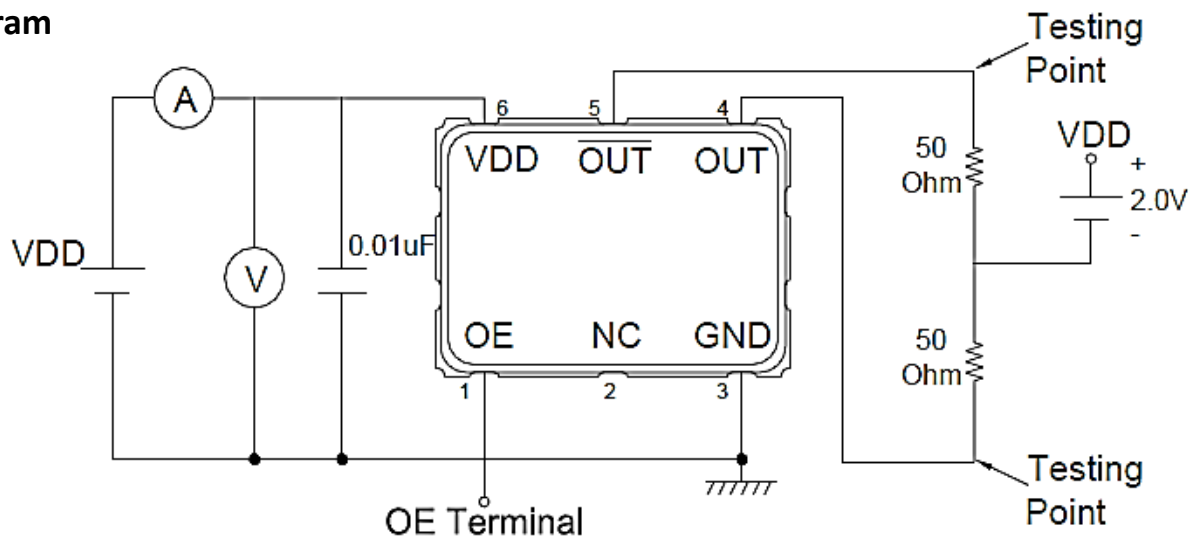
Parameters	Symbol	Min.	Typ.	Max.	Units	Conditions & Notes
<b>Common Electrical Characteristics</b>						
Nominal Frequency	F	50 ~ 320			MHz	3rd Overtone
Frequency Stability	ST	$\pm 25$			ppm	@ $-40\sim 85^{\circ}\text{C}$ , Note 1
		$\pm 30$				@ $-40\sim 105^{\circ}\text{C}$ , Note 1
		$\pm 50$				@ $-40\sim 125^{\circ}\text{C}$ , Note 1
Operating Temperature	Topr	-40	-	125	$^{\circ}\text{C}$	
Supply Voltage	Vdd	2.25 ~ 3.63			V	
Start-up Time	Tosc	-	-	10	ms	To 90% of Final Amplitude
<b>LVPECL Electrical Characteristics</b>						
Current Consumption	Icc	-	-	80	mA	RL=50Ω to VDD-2V
Standby Current	Icc(ST)	-	-	10	uA	OE = Low
Output Voltage High	VoH	VDD-1.025	-	VDD-0.88	V	
Output Voltage Low	VoL	VDD-1.81	-	VDD-1.62	V	
Output Voltage Range	Vdiff	600	1400	2000	mV	Differential Peak-to-Peak
Rise Time	Tr	-	-	0.5	ns	20% ~ 80% Output Swing
Fall Time	Tf	-	-	0.5	ns	80% ~ 20% Output Swing
Symmetry	TH/T	45	50	55	%	
Enable Voltage High	-	0.7VDD	-	-	V	Note 2 , (Logic 1)
Enable Voltage Low	-	-	-	0.3VDD	V	Note 2 , (Logic 0)
Output Enable Delay Time	-	-	-	2	ms	
Output Disable Delay Time	-	-	-	200	ns	
RMS Phase Jitter	PJ	-	-	0.1	ps	Integrated from 12KHz ~ 20MHz @156.25MHz , 3.3V , Note3

Note 1 : Inclusive of frequency tolerance at  $25^{\circ}\text{C}$  , variation over temperature , supply voltage variation , 10 years aging and vibration.

Note 2 : Output will be enable if OE is Logic 1 or open ; Output will be disable if OE is Logic 0.

Note 3 : Phase Jitter will be slightly different according to output frequency and supply voltage.

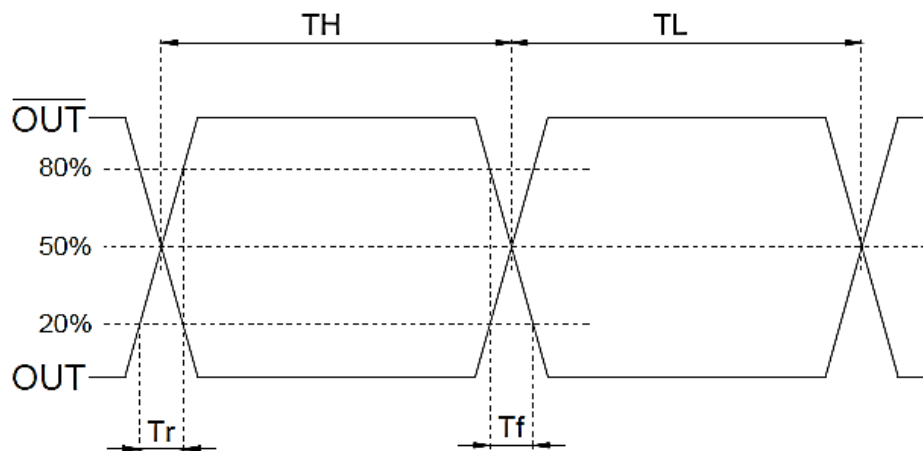
● **Test Diagram**



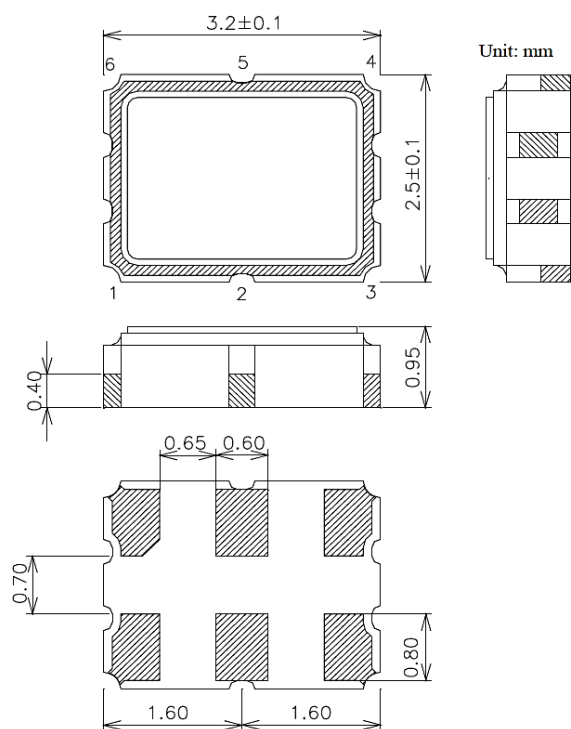
Testing Circuit Note:

1. Above testing circuits cover all the specifications except temperature test & Jitter measurement.
2. All the testing equipment are 50 Ohm terminal.
3. OE terminal is open connection except OE function test.

● **Waveform Conditions**



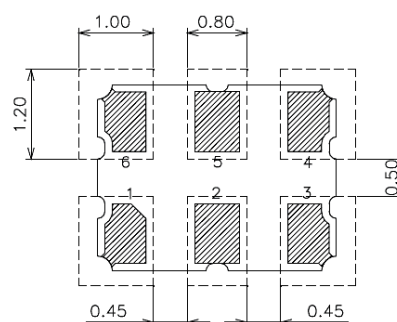
● **Dimensions & Footprint (Recommended)**



**Pin Function:**

1. OE
2. NC
3. GND
4. OUT
5.  $\overline{\text{OUT}}$
6. VDD

**Land Pattern:**



※ Pad dimension tolerance  $\pm 0.2$  mm

※ Power Supply Decoupling Capacitor is Required.