

Product Features

1. Output Frequency : 15~2100 MHz (PLL)
2. Frequency Stability : ± 50 ppm
2. Supply Voltage : 3.3V
3. Operating Temperature : -40~105°C
4. Output Type : LVDS
5. Phase Jitter : 1ps (Max.) @100MHz , 3.3V
6. RoHS and REACH Compliant , Pb-free , Halogen-free
8. Fast Delivery
9. Wide pull range and good linearity.
10. Industry Standard Package :
5.0 x 3.2 x 1.2 mm

Application :

- SDH/ SONET, Ethernet, Base Stations, etc.



Test condition

Ambient temperature : $25 \pm 5^\circ\text{C}$

Relative humidity : 40% ~ 70%

● Table 1 . Electrical Specifications

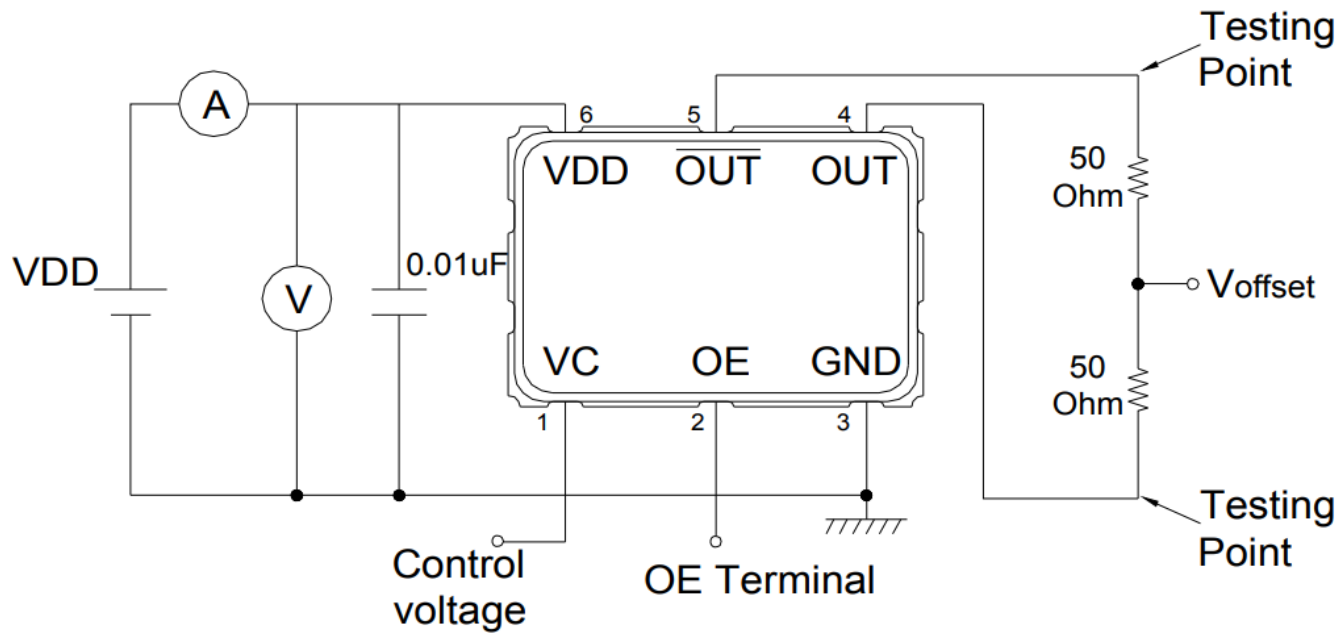
Parameters	Symbol	Min.	Typ.	Max.	Units	Notes
Nominal Frequency	F	15~2100			MHz	PLL
Frequency Tolerance	FT	± 50			ppm	@ -40~105°C , Note 1
Operating Temperature	Topr	-40	25	105	°C	
Supply Voltage	Vdd	3.3 ($\pm 10\%$)			V	
Nominal center voltage	-	0.5xVdd			V	
Control Voltage Range	Vc	0.1xVdd	-	0.9xVdd	V	
APR	APR	± 50	-	-	ppm	Note2
Linearity	-	-	-	10	%	
Aging	-	± 3			ppm/yr.	1st. Year at 25°C
Current Consumption	Icc	-	69	80	mA	RL=100Ω
Standby Current	Icc(ST)	-	67	78	uA	OE = Low
Offset Voltage	-	1.125	1.250	1.375	V	
Output Swing (Single)	-	247	330	454	mV	Single Peak-to-Peak
Output Swing (Differential)	Vdiff	494	660	908	mV	Differential Peak-to-Peak
Rise / Fall Time	Tr / Tf	-	-	0.35	ns	20% ~ 80% Output Swing
Enable Voltage High	-	0.7xVdd	-	-	V	Note 3
Enable Voltage Low	-	-	-	0.3xVdd	V	Note 3
Output Enable Delay Time	-	-	-	5	ms	
Output Disable Delay Time	-	-	-	200	ns	
RMS Phase Jitter	PJ	-	0.15	0.25	ps	Integrated from 12KHz ~ 20MHz @150MHz , 3.3V

Note 1 : Inclusive of frequency tolerance at 25°C , variation over temperature , supply voltage variation , 10 years aging and vibration.

Note 2 : APR=(Pull Range) - (Frequency tolerance at 25 °C, variation over temperature, supply voltage variation, and aging).

Note3 : Output will be enable if OE is Logic 1 or open ; Output will be disable if OE is Logic 0.

● Test Diagram

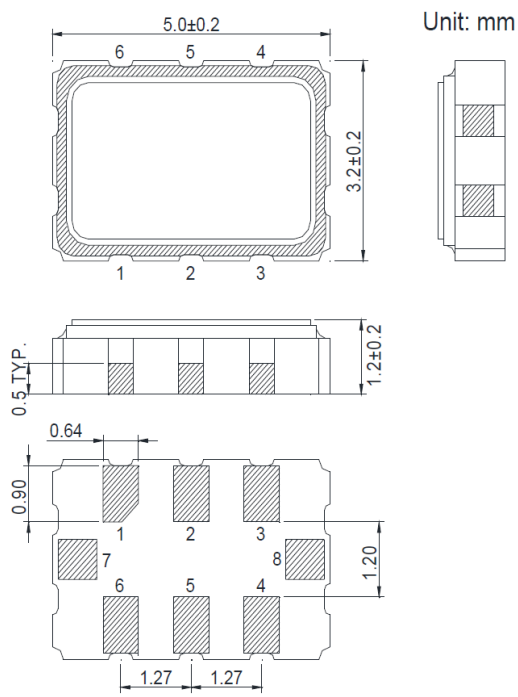


Testing Circuit Note:

1. Above testing circuit covers all the specifications except temperature test & jitter measurement.
2. All the testing equipment are 50Ohm terminal.
3. OE terminal is open connection except OE function test.

● Dimensions & Footprint (Recommended)

Unit : mm

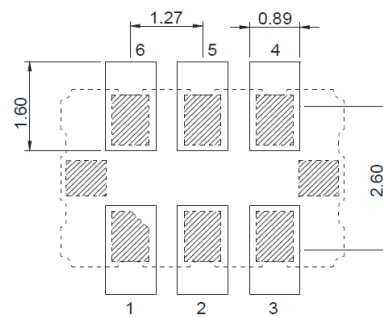


※ Pad dimension tolerance ±0.2 mm

Pin Function:

- | | |
|----------------------------|-------|
| 1. OE | 7. NC |
| 2. NC | 8. NC |
| 3. GND | |
| 4. OUT | |
| 5. $\overline{\text{OUT}}$ | |
| 6. VDD | |

Land Pattern:



※ Power Supply Decoupling Capacitor is Required.

※ Pad dimension tolerance ±0.2 mm